



Lithium Thionyl Chloride Battery&Hybrid Pulse Capacitor Internet of Thing Battery

Model: ER26500+HPC1550

Alternative: TL4920+HLC1550, ER26500+SPC1550, ER26500+UPC1550

1. Electronic Characteristics

Item	Parameters	Remark
Nominal Voltage(V)	3.6	
Nominal Capacity(mAh)	8500	23±2°C,500mA, Cut-off 2.5V
Load Voltage(V)	≥3.55	23±2°C,500mA, time ≤ 10 sec
Max Pulse Width(Seconds)	1000 sec	23±2°C,500mA, Cut-off 2.5V
Max Pulse Current(A)	3	23±2°C
Operate Temperature Range(°C)	-40 ~ +85	
Lag time	No	23±2°C,500mA, Cut-off 3.0V
Annual average rate of decline	≤2%	
Max size: L*W*T mm	54.5*43*28mm	1007,AWG24,100mm,
Weight(g):	74±1	

2. Performance Detection

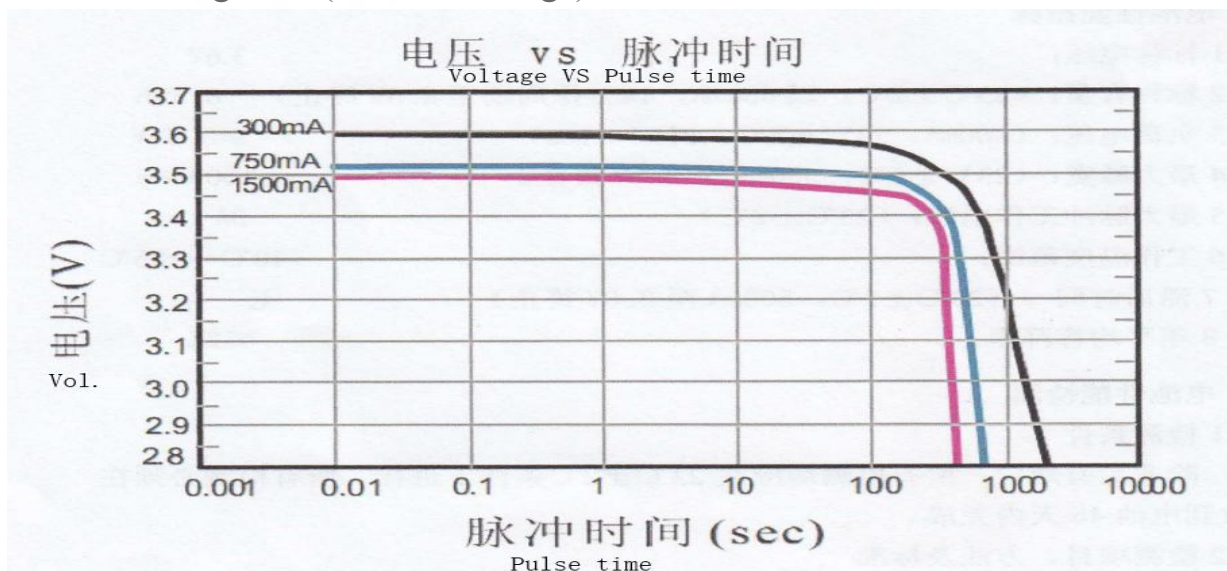
2.1 Detection condition

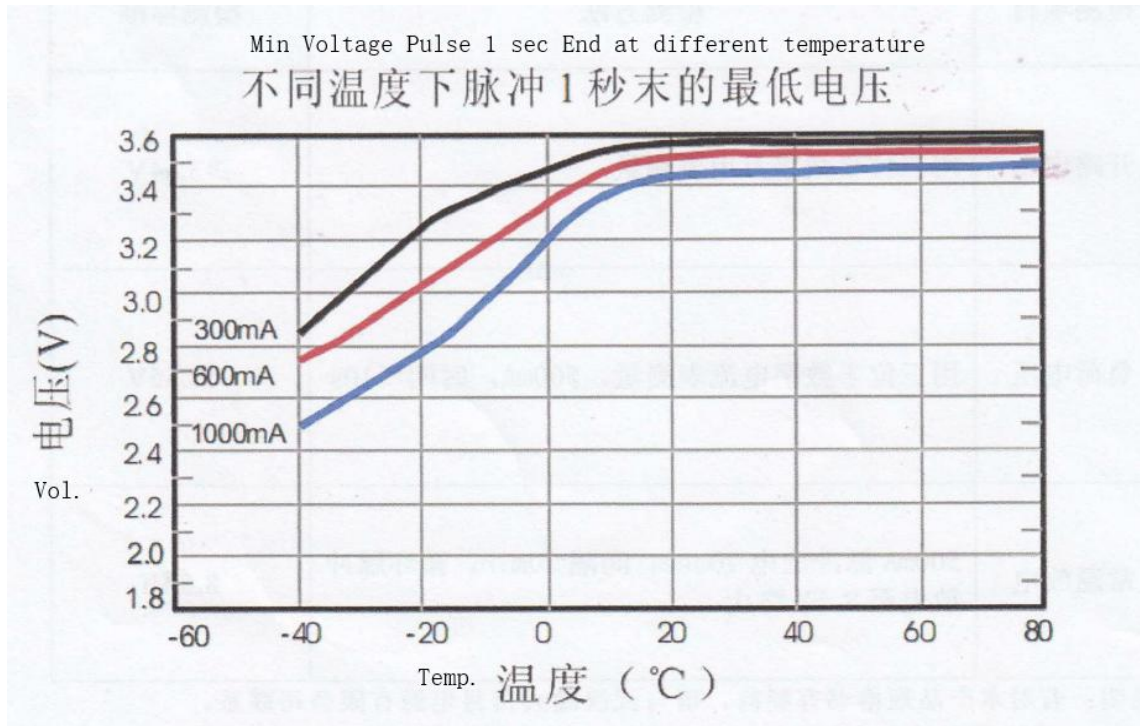
All detection is in 23±2°C. All test will be finish within 45 days.

2.2 Test method and standard

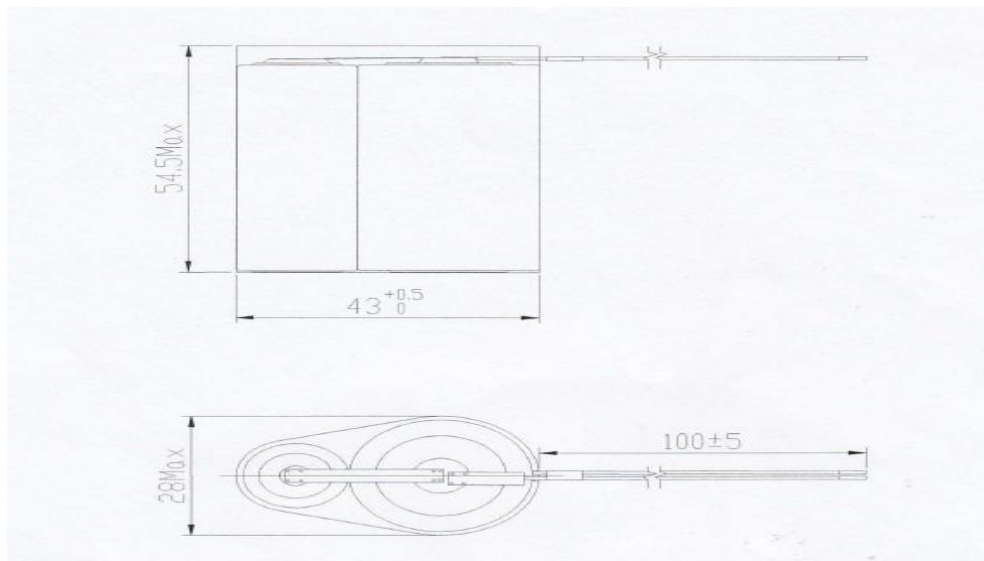
Item	Test method	Test standard
Open Voltage	3.5 Digital Multimeter	≥3.64V
Load Voltage	3.5 Digital multimeter, 500mA,t≤10s	≥3.55V
Discharge Normal temp.	Pulse 500mA@10Sec, interval 30min, cycle discharge, cut-off 2.5V	8.5Ah

3. Discharge cure(Pulse discharge)





4. Outline Drawing(Can customized all kinds of connector)



5. Certificate: UL1642, IEC62133, IEC60086, UN38.3, CE, ROHS

6. Warning:

- Do not Fire, explosion, and severe burn hazards
- Do not disassemble, heat above 100°C
- Short circuit, incinerate or expose contents to water
- Do not be installed upside down

Note: Any representations in this brochure concerning performance, are for informational purposes only and are not construed as warranties either expressed or implied, of future performance.